

BALUSTRADES

BALUSTERS B-01 - B-03

NEWELL POSTS NP-01 - NP-06

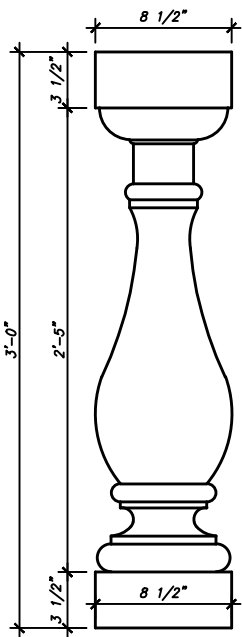
BALUSTRADE RAILS R-01 - R-02



ARCHITECTURAL FIBERGLASS, INC.

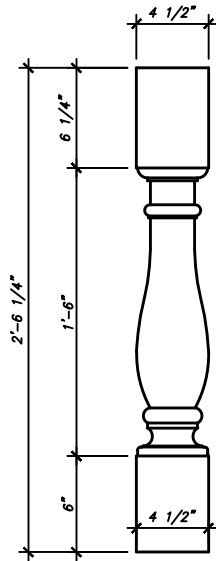
8300 Bessemer Ave. * Cleveland, OH 44127-1839 * 216-641-8300 * Fax 216-641-8150 * www.fiberglass-afi.com

NOTE: ALL BALUSTERS CAN BE HEIGHT ADJUSTED $\pm 3"$ BASED ON THE NEEDS OF THE PROJECT



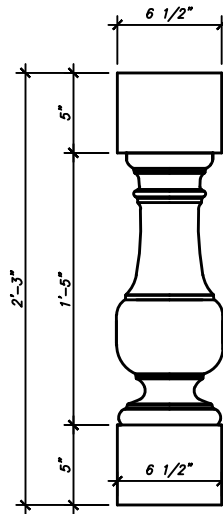
BS-110

USE WITH RAIL RT-130, RT-140, or RT-150.



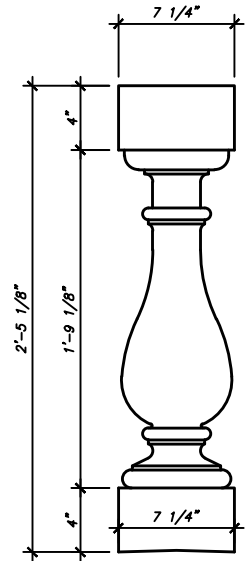
BS-120

USE WITH RAIL RT-110, RT-120, RT-160, RT-170, RT-180, RT-190, or RT-200.



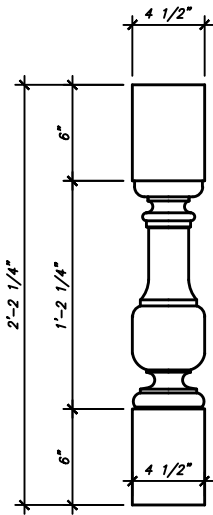
BS-130

USE WITH RAIL RT-130, RT-140, RT-150, RT-170, or RT-190.



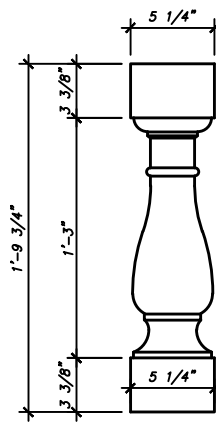
BS-140

USE WITH RAIL RT-130, RT-140, RT-150, or RT-190.



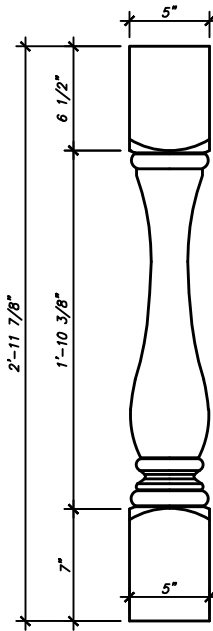
BS-150

USE WITH RAIL RT-110, RT-120, RT-160, RT-170, RT-180, RT-190, or RT-200.



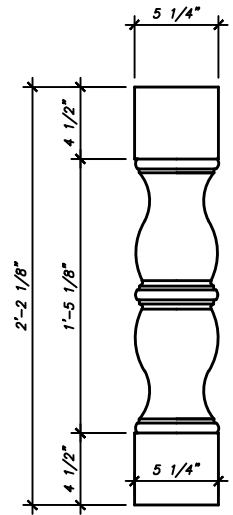
BS-160

USE WITH RAIL RT-110, RT-120, RT-150, RT-170, RT-180, or RT-190.



BS-170

USE WITH RAIL RT-110, RT-120, RT-150, RT-170, RT-180, RT-190, or RT-200.



BS-180

USE WITH RAIL RT-110, RT-120, RT-150, RT-170, RT-180, or RT-190.

BALUSTRADES

SHEET NO.

B-01

2013

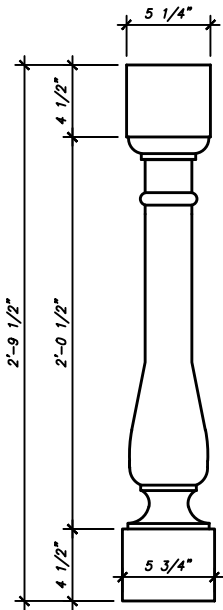
BALUSTERS



ARCHITECTURAL FIBERGLASS, INC.

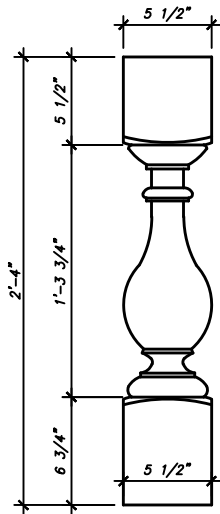
8300 BESSEMER AVE., CLEVELAND, OHIO 44127-1839
 (216) 641-8300 - FAX:(216) 641-8150
www.fiberglass-afi.com

NOTE: ALL BALUSTERS CAN BE HEIGHT ADJUSTED $\pm 3"$ BASED ON THE NEEDS OF THE PROJECT



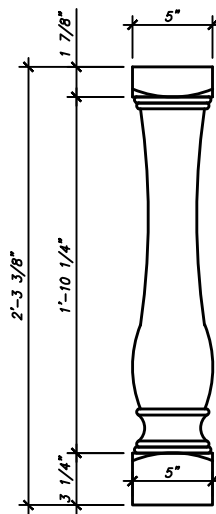
BS-190

USE WITH RAIL RT-110, RT-120, RT-150, RT-170, RT-180, or RT-190.



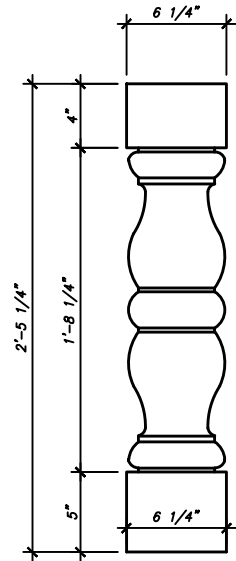
BS-200

USE WITH RAIL RT-110, RT-120, RT-150, RT-170, RT-180, RT-190.



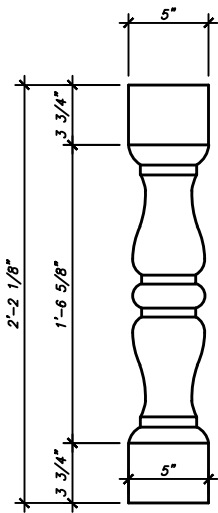
BS-210

USE WITH RAIL RT-110, RT-120, RT-150, RT-170, RT-180, RT-190, or RT-200.



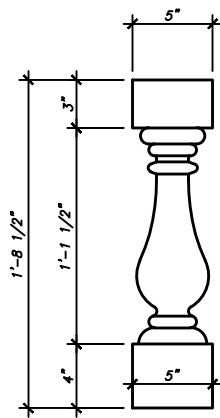
BS-220

USE WITH RAIL RT-130, RT-140, RT-150, RT-170, or RT-190.



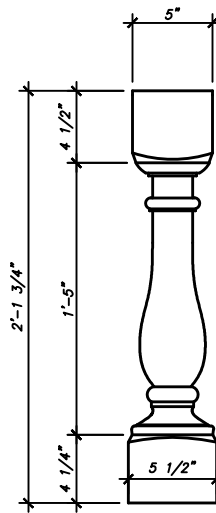
BS-230

USE WITH RAIL RT-110, RT-120, RT-150, RT-170, RT-180, RT-190, or RT-200.



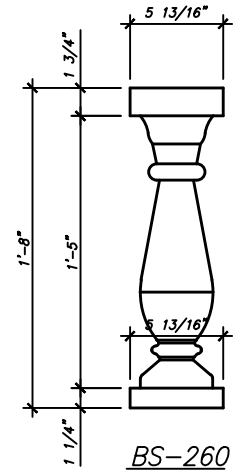
BS-240

USE WITH RAIL RT-110, RT-120, RT-150, RT-170, RT-180, RT-190, or RT-200.



BS-250

USE WITH RAIL RT-110, RT-120, RT-150, RT-170, RT-180, RT-190, or RT-200.



BS-260

USE WITH RAIL RT-110, RT-120, RT-130, RT-140, RT-150, RT-170, or RT-190.

BALUSTRADES

SHEET NO.

B-02

2013

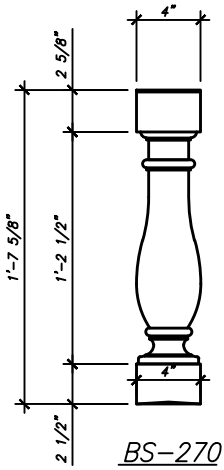
BALUSTERS



ARCHITECTURAL FIBERGLASS, INC.

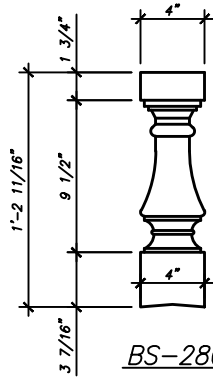
8300 BESSEMER AVE., CLEVELAND, OHIO 44127-1839
(216) 641-8300 - FAX:(216) 641-8150
www.fiberglass-afi.com

NOTE: ALL BALUSTERS CAN BE HEIGHT ADJUSTED $\pm 3"$ BASED ON THE NEEDS OF THE PROJECT



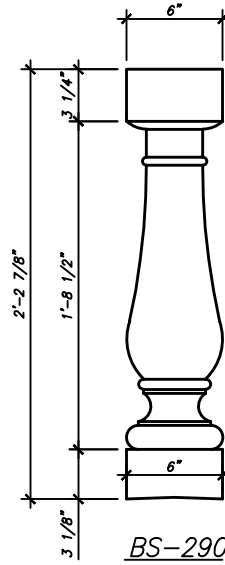
BS-270

USE WITH RAIL RT-110, RT-120, RT-160, RT-180, or RT-200.



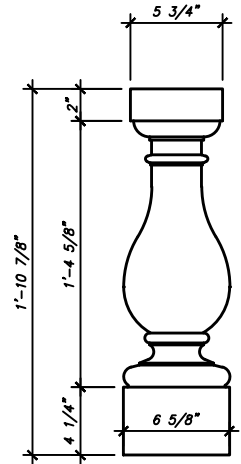
BS-280

NOTE: BALUSTER IS SQUARE.
USE WITH RAIL RT-110, RT-120, RT-160, RT-180, or RT-200.



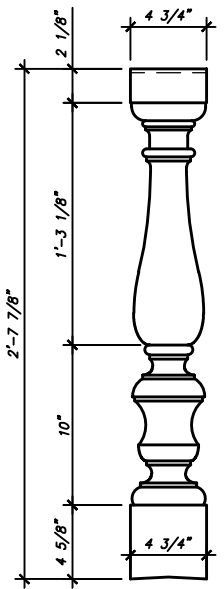
BS-290

USE WITH RAIL RT-120, RT-130, RT-140, RT-150, RT-170, or RT-190.



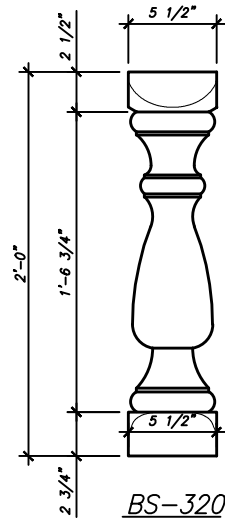
BS-300

USE WITH RAIL RT-130, RT-140, RT-150, RT-170, or RT-190.



BS-310

USE WITH RAIL RT-110, RT-120, RT-150, or RT-170.



BS-320

USE WITH RAIL RT-120, RT-150, or RT-190.

BALUSTRADES

SHEET NO.

B-03

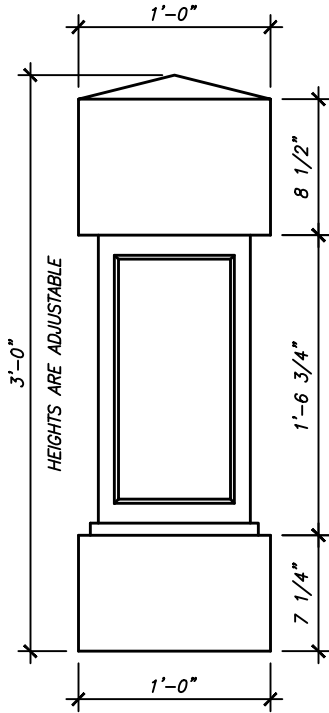
2013

BALUSTERS



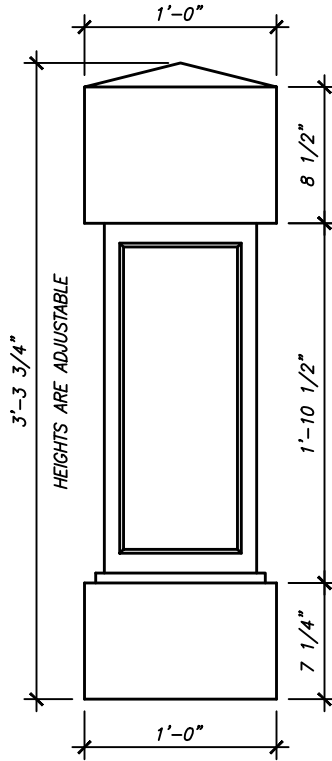
ARCHITECTURAL FIBERGLASS, INC.

8300 BESSEMER AVE., CLEVELAND, OHIO 44127-1839
(216) 641-8300 - FAX:(216) 641-8150
www.fiberglass-afi.com



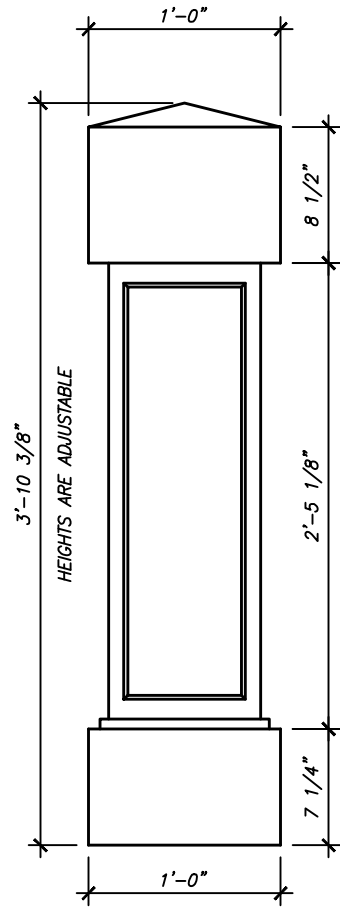
NP-100

USE RT-110, RT-120, RT-130,
RT-140, RT-150, RT-160,
RT-170, RT-180, RT-190,
OR RT-200.



NP-110

USE RT-110, RT-120, RT-130,
RT-140, RT-150, RT-160,
RT-170, RT-180, RT-190,
OR RT-200.



NP-120

USE RT-110, RT-120, RT-130,
RT-140, RT-150, RT-160,
RT-170, RT-180, RT-190,
OR RT-200.

BALUSTRADES

SHEET NO.

NP-01

2013

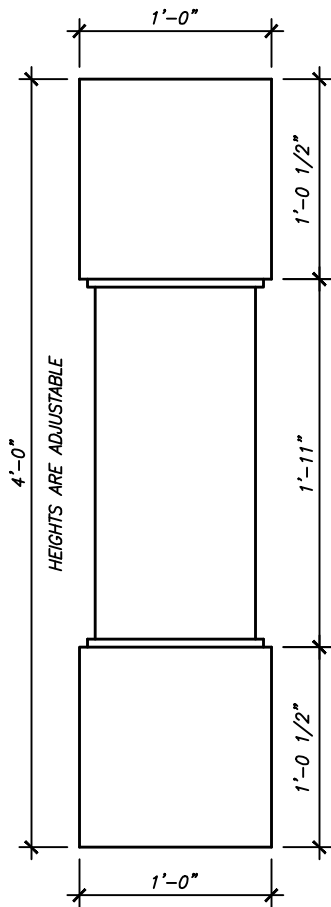
NEWEL POSTS



ARCHITECTURAL FIBERGLASS, INC.

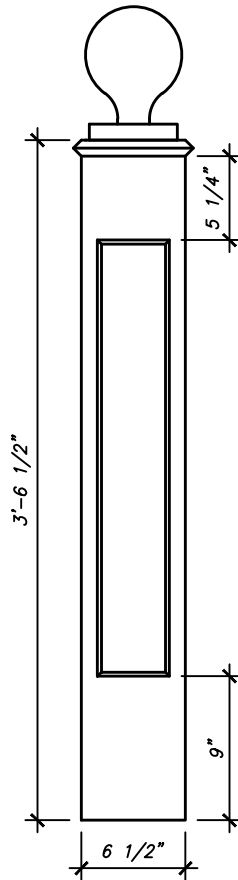
8300 BESSEMER AVE., CLEVELAND, OHIO 44127-1839
(216) 641-8300 - FAX:(216) 641-8150
www.fiberglass-afi.com

NEWEL POSTS MAY BE CAPPED WITH OPTIONAL FINIAL BALL



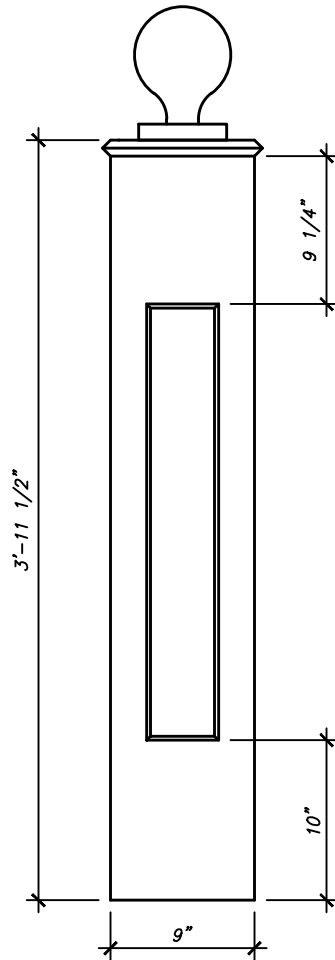
NP-130

USE RT-110, RT-120, RT-130,
RT-140, RT-150, RT-160,
RT-170, RT-180, RT-190,
OR RT-200.



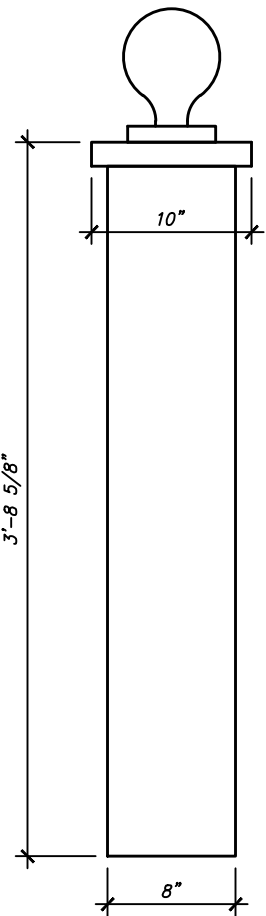
NP-140

USE RT-110
OR RT-200.



NP-150

USE RT-110, RT-120, RT-160,
RT-170, RT-180, OR RT-200.



NP-160

USE RT-110, RT-160,
RT-170, OR RT-200.

BALUSTRADES

NEWEL POSTS

SHEET NO.

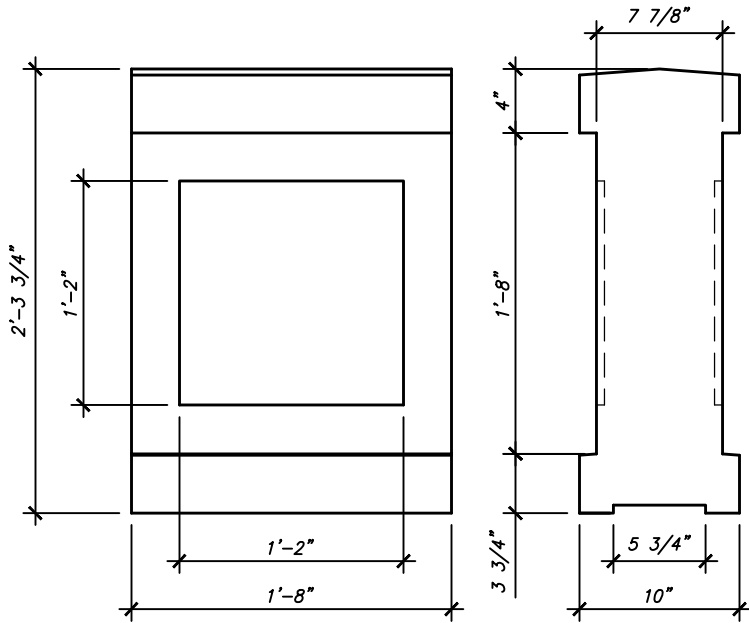
NP-02

2013



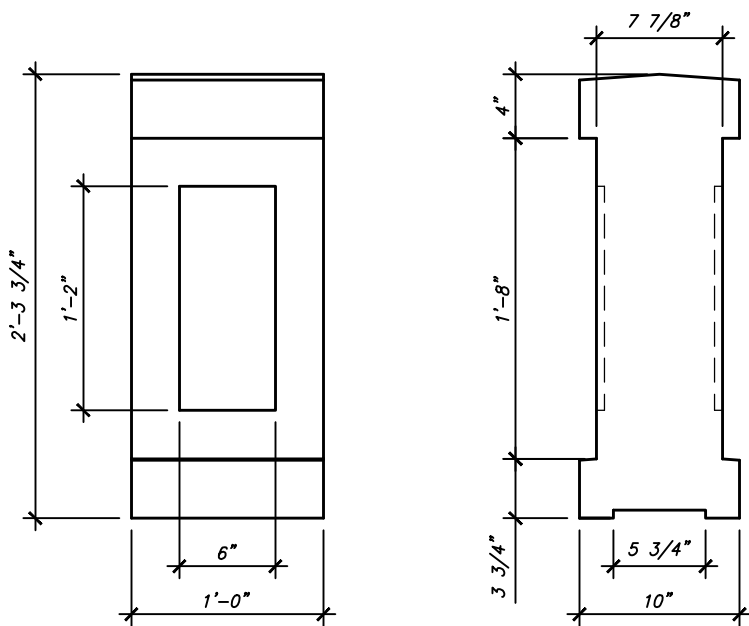
ARCHITECTURAL FIBERGLASS, INC.

8300 BESSEMER AVE., CLEVELAND, OHIO 44127-1839
(216) 641-8300 - FAX:(216) 641-8150
www.fiberglass-afi.com



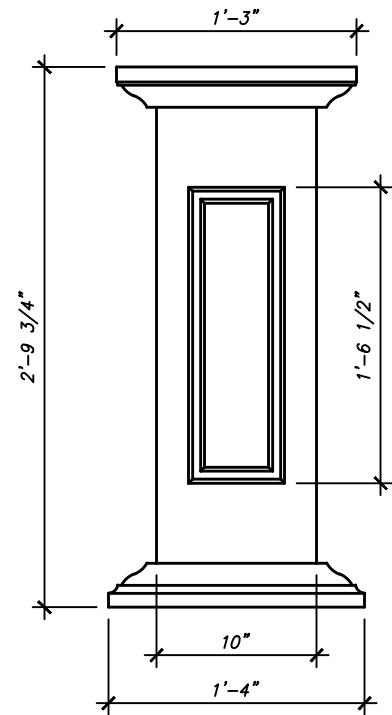
NP-170-A

USE RT-150
ONLY.



NP-170-B

USE RT-150
ONLY.



NP-180

USE RT-110, RT-120, RT-160,
RT-170, RT-180, OR RT-200.

BALUSTRADES

SHEET NO.

NP-03

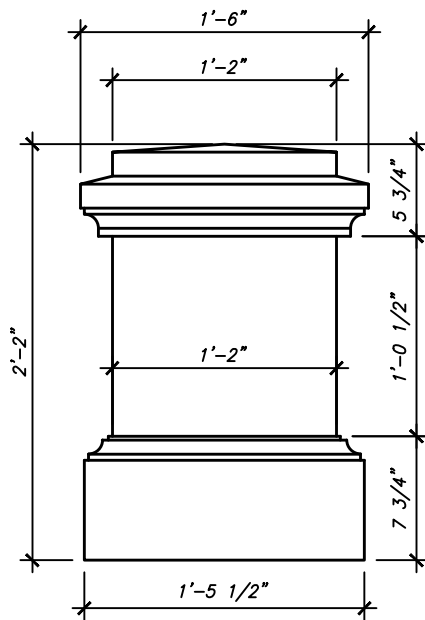
2013

NEWEL POSTS



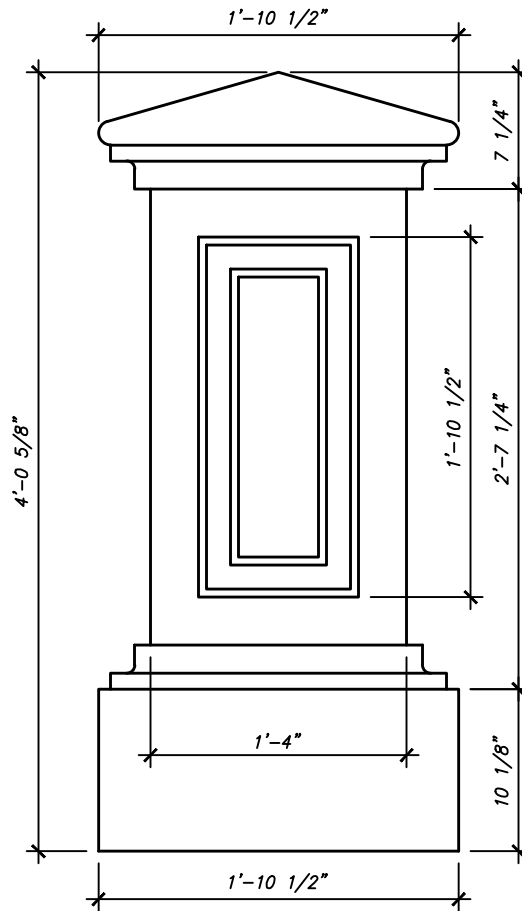
ARCHITECTURAL FIBERGLASS, INC.

8300 BESSEMER AVE., CLEVELAND, OHIO 44127-1839
(216) 641-8300 - FAX:(216) 641-8150
www.fiberglass-afi.com



NP-190

USE RT-180
ONLY.



NP-200

USE RT-190
ONLY.

BALUSTRADES

SHEET NO.

NP-04

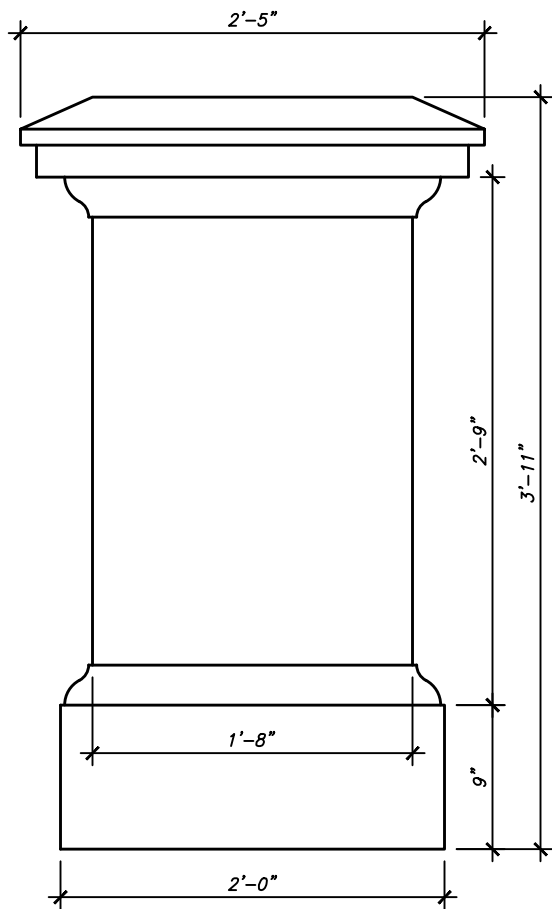
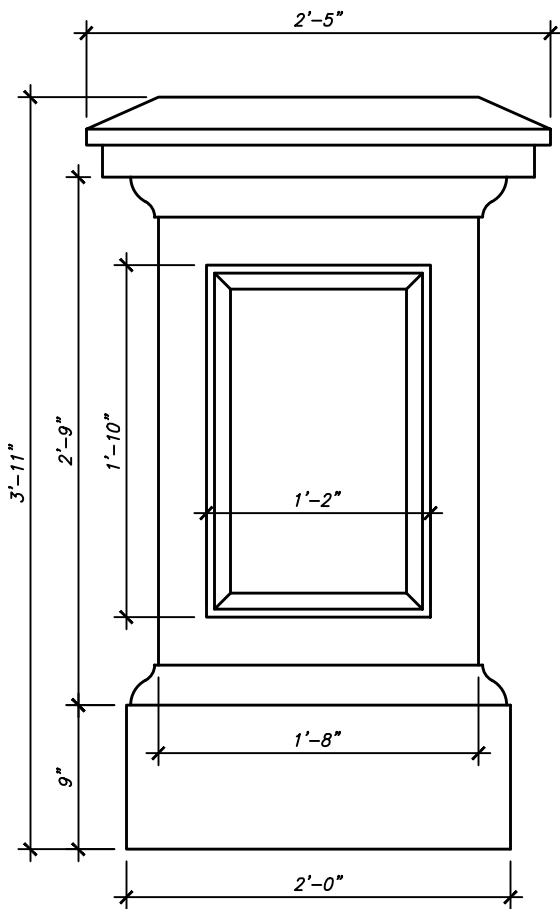
2013

NEWEL POSTS



ARCHITECTURAL FIBERGLASS, INC.

8300 BESSEMER AVE., CLEVELAND, OHIO 44127-1839
(216) 641-8300 - FAX:(216) 641-8150
www.fiberglass-afi.com



NP-210

BALUSTRADES

NEWEL POSTS

SHEET NO.

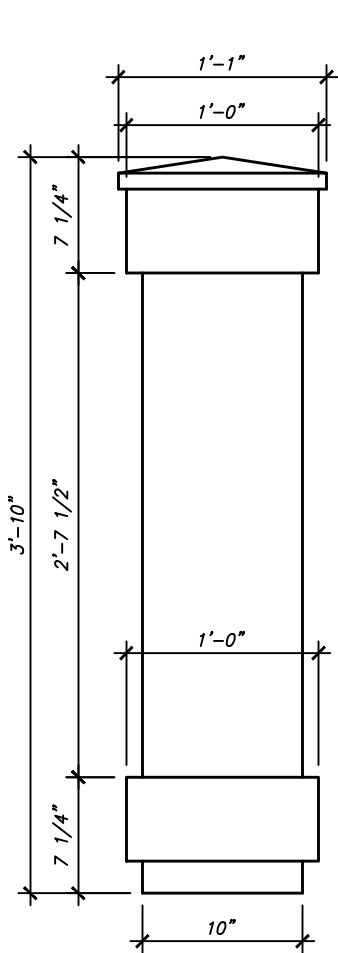
NP-05

2013

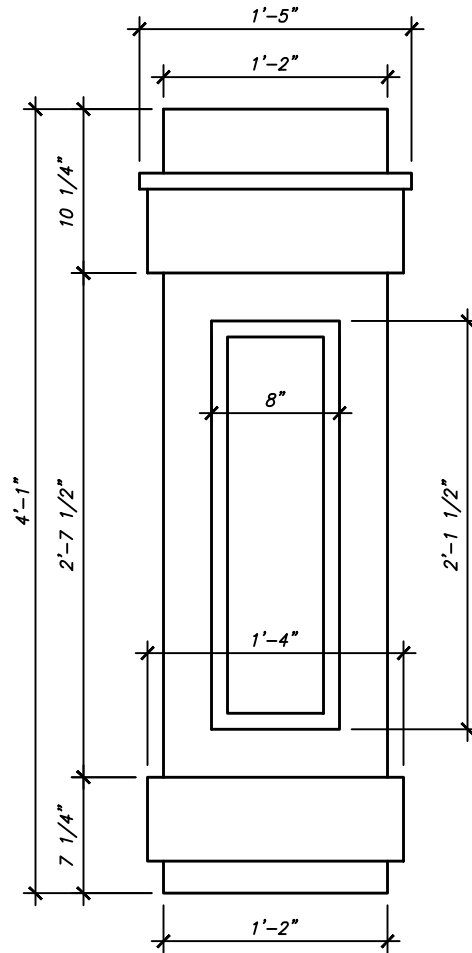


ARCHITECTURAL FIBERGLASS, INC.

8300 BESSEMER AVE., CLEVELAND, OHIO 44127-1839
 (216) 641-8300 - FAX:(216) 641-8150
www.fiberglass-afi.com



NP-220



NP-230

BALUSTRADES

SHEET NO.

NP-06

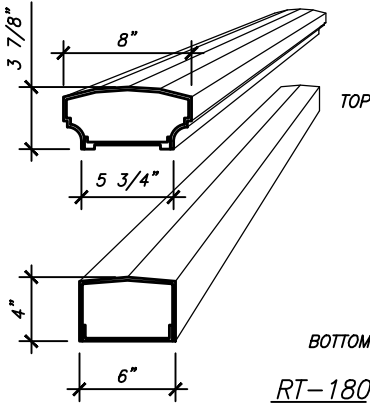
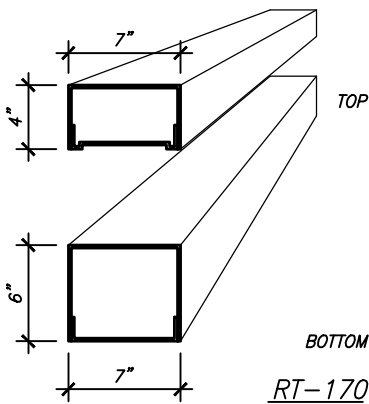
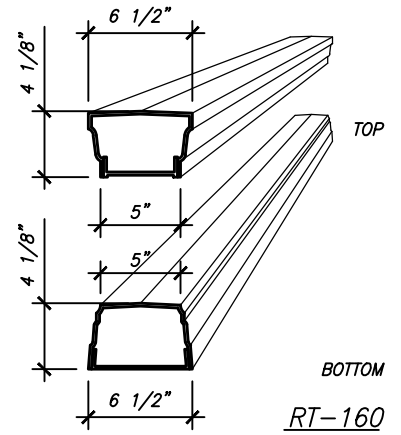
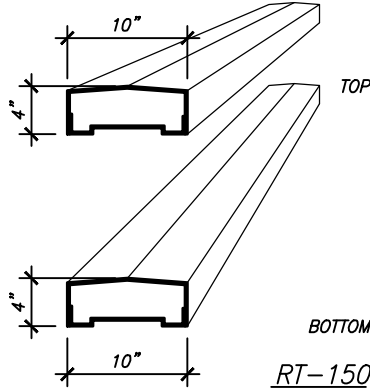
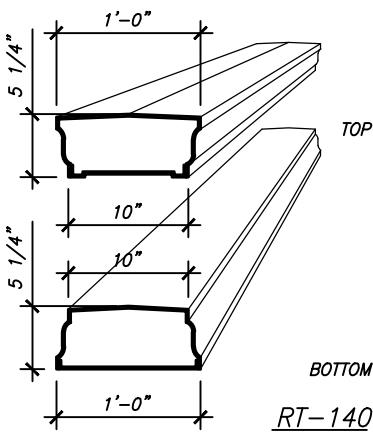
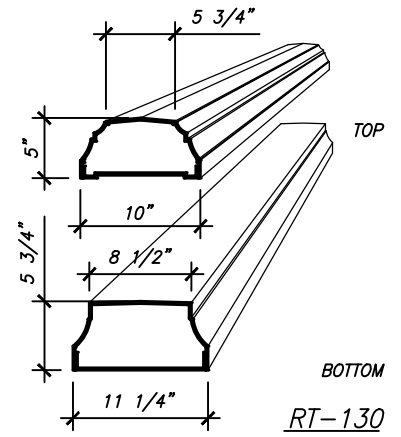
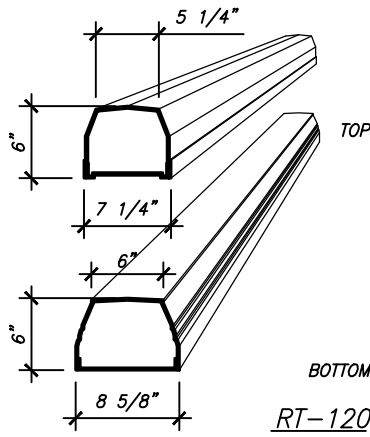
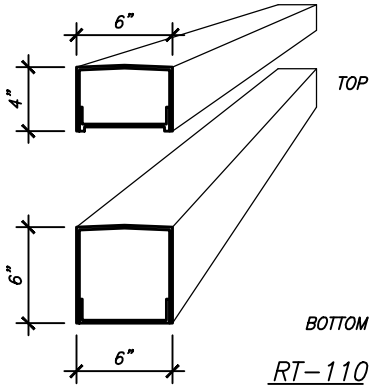
2013

NEWEL POSTS



ARCHITECTURAL FIBERGLASS, INC.

8300 BESSEMER AVE., CLEVELAND, OHIO 44127-1839
 (216) 641-8300 - FAX:(216) 641-8150
www.fiberglass-afi.com



NOTES:

- * ALL RAIL LENGTHS ARE ADJUSTABLE
- * SEE BALUSTER DETAILS FOR COMPATIBILITY

BALUSTRADES

SHEET NO.

R-01

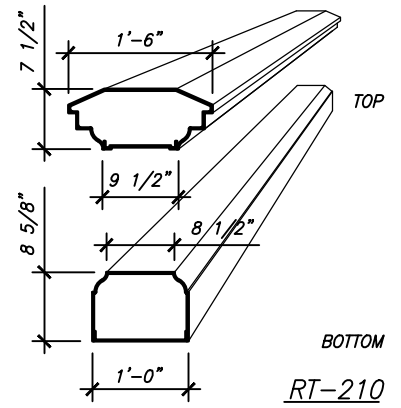
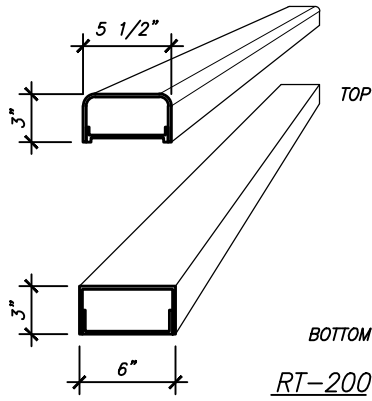
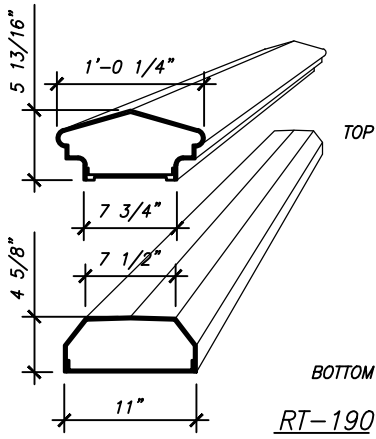
2013

RAILS



ARCHITECTURAL FIBERGLASS, INC.

8300 BESSEMER AVE., CLEVELAND, OHIO 44127-1839
 (216) 641-8300 - FAX:(216) 641-8150
 www.fiberglass-afi.com



NOTES:

- * ALL RAIL LENGTHS ARE ADJUSTABLE
- * SEE BALUSTER DETAILS FOR COMPATIBILITY

BALUSTRADES

SHEET NO.

R-02

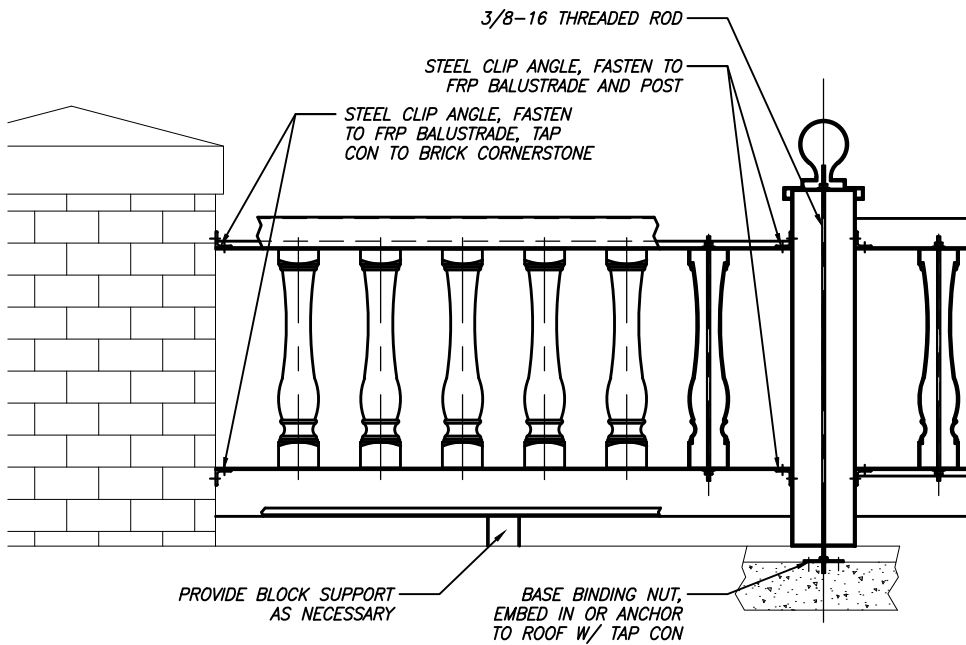
2013

RAILS

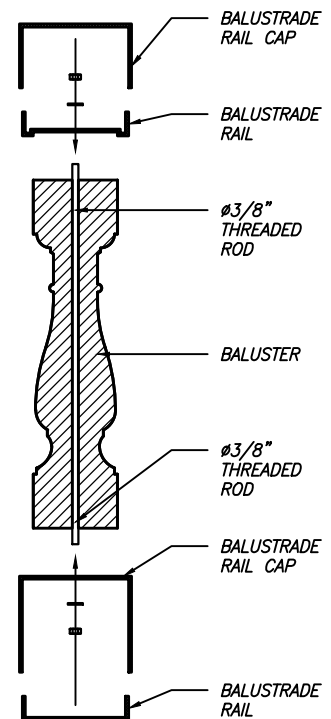


ARCHITECTURAL FIBERGLASS, INC.

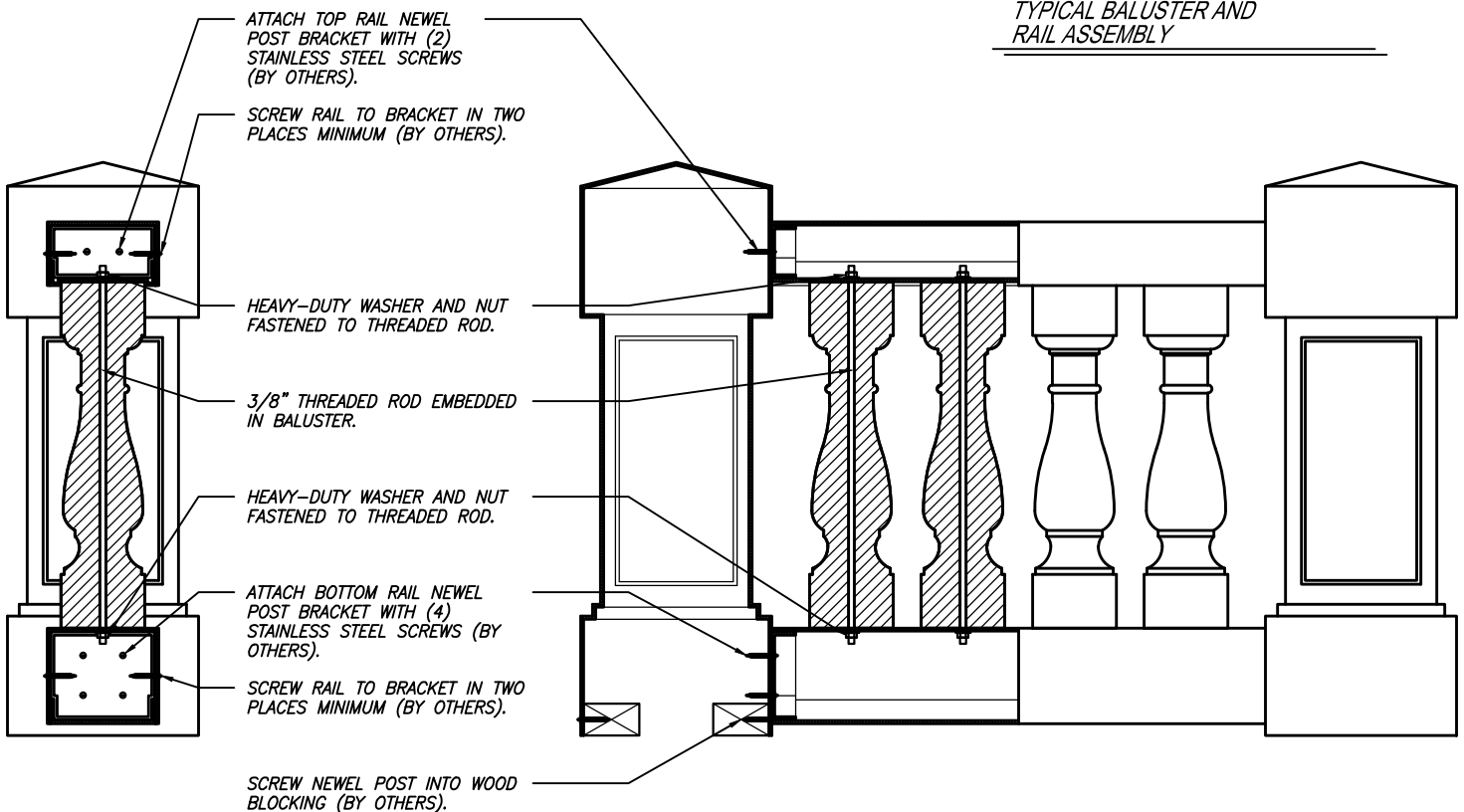
8300 BESSEMER AVE., CLEVELAND, OHIO 44127-1839
 (216) 641-8300 - FAX:(216) 641-8150
 www.fiberglass-afi.com



BALUSTRADE INSTALLATION - OPTION 1



TYPICAL BALUSTER AND RAIL ASSEMBLY



BALUSTRADE INSTALLATION - OPTION 2

BALUSTRADES

SHEET NO.

SD-01

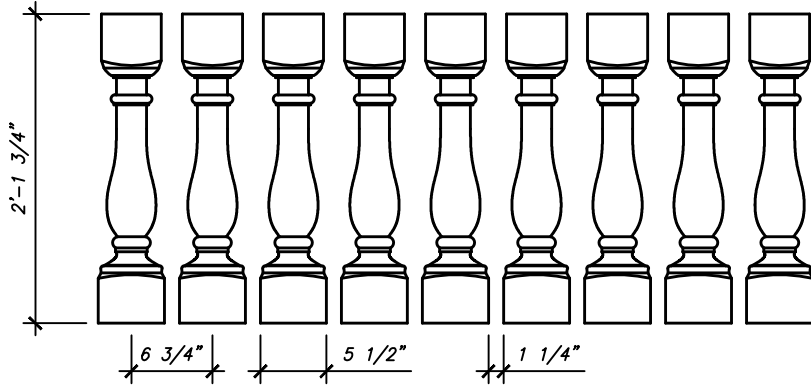
2013

INSTALLATION

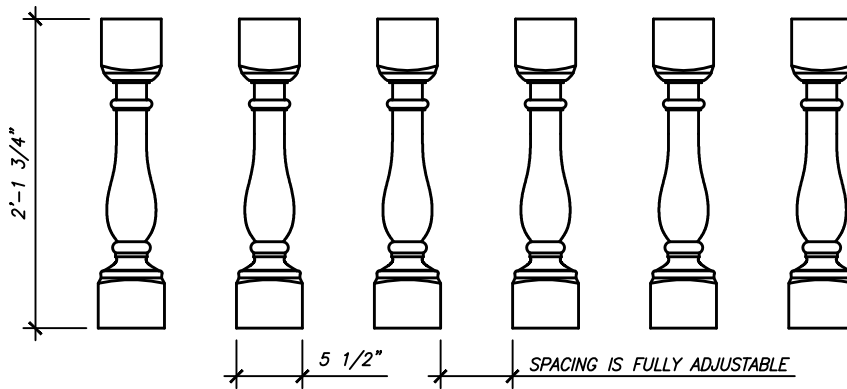


ARCHITECTURAL FIBERGLASS, INC.

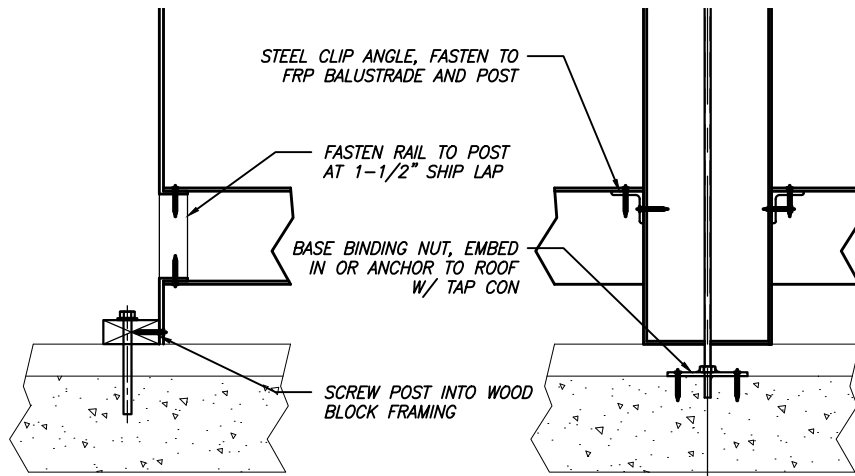
8300 BESSEMER AVE., CLEVELAND, OHIO 44127-1839
 (216) 641-8300 - FAX:(216) 641-8150
 www.fiberglass-afi.com



OPTION 1 - 4" SPHERE CODE SPACING



OPTION 2 - SPACING NOT TO CODE



NEWEL POST ATTACHMENT DETAILS

BALUSTRADES

SHEET NO.

SD-02

2013

INSTALLATION



ARCHITECTURAL FIBERGLASS, INC.

8300 BESSEMER AVE., CLEVELAND, OHIO 44127-1839
 (216) 641-8300 - FAX:(216) 641-8150
 www.fiberglass-afi.com